



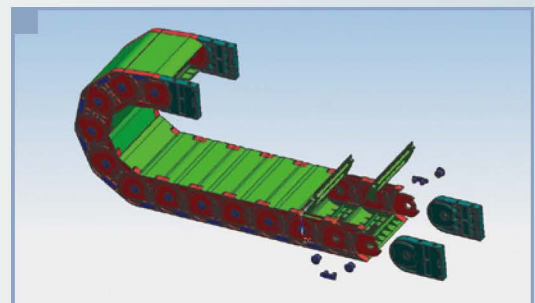
KJC TYPE

플라스틱 밀폐형

Chip, Slag 등 이물질로부터 Cable, Hose를 보호하면서 안쪽 Cover가 개폐가 되어 Cable, Hose 분해 설치가 쉬고 Pin으로 연결하는 구조로 되어있어 길이 조절이 자유로우며 부분 보수가 쉽습니다.

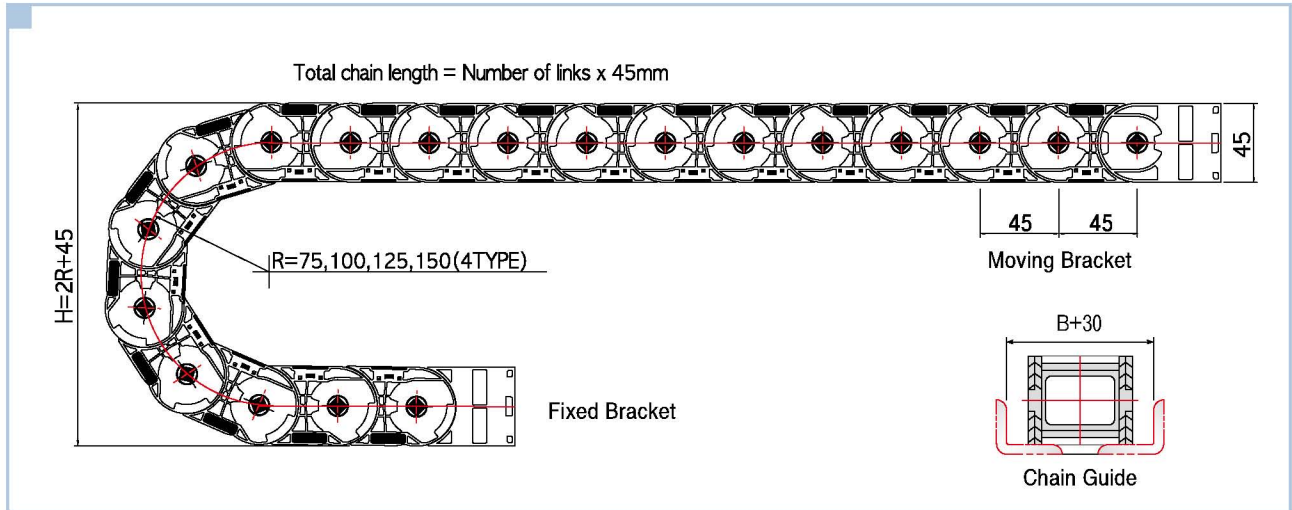
PLASTIC ENCLOSED TYPE

IT PROTECTS CABLE HOSE FROM FOREIGN SUBSTANCES SUCH AS CHIP, SLAG. INNER COVER OPENS AND SHUTS SO CABLE AND HOSE ARE EASILY DISASSEMBLED AND INSTALLED. IT IS CONNECTED BY PIN SO IT'S LENGTH IS ADJUSTED AND PARTIAL REPAIR IS EASY.

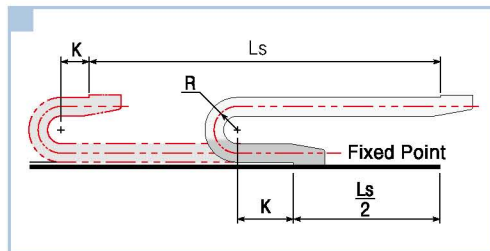
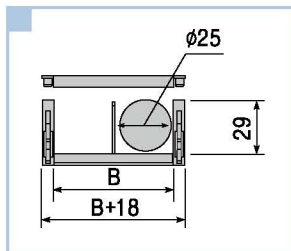


KJC 045 TYPE

⊕ Cablechain / Chain Pitch(P)=45mm



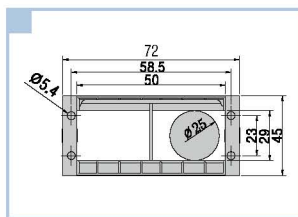
⊕ A-A Cross Section / D.Max



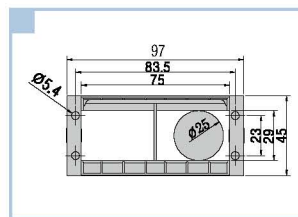
· Chain Length $L = \frac{Ls}{2} + \pi R + 3P(2K)$
 · 곡률반경에 따른 H값

R	75	100	125	150
H	195	245	295	345

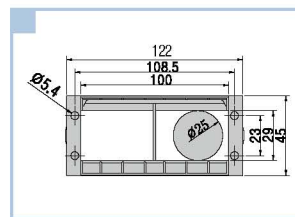
⊕ B 50



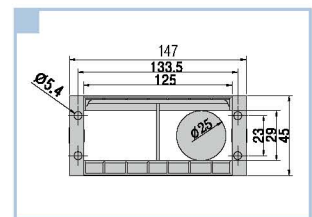
⊕ B 75



⊕ B 100

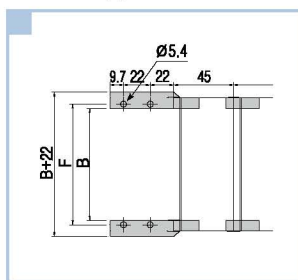


⊕ B 125

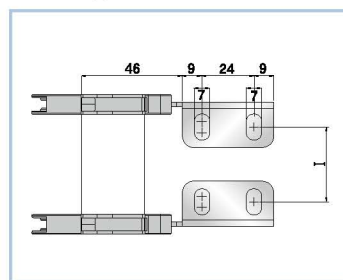


⊕ End Bracket (택 1)

Plastic Type



Steel Type



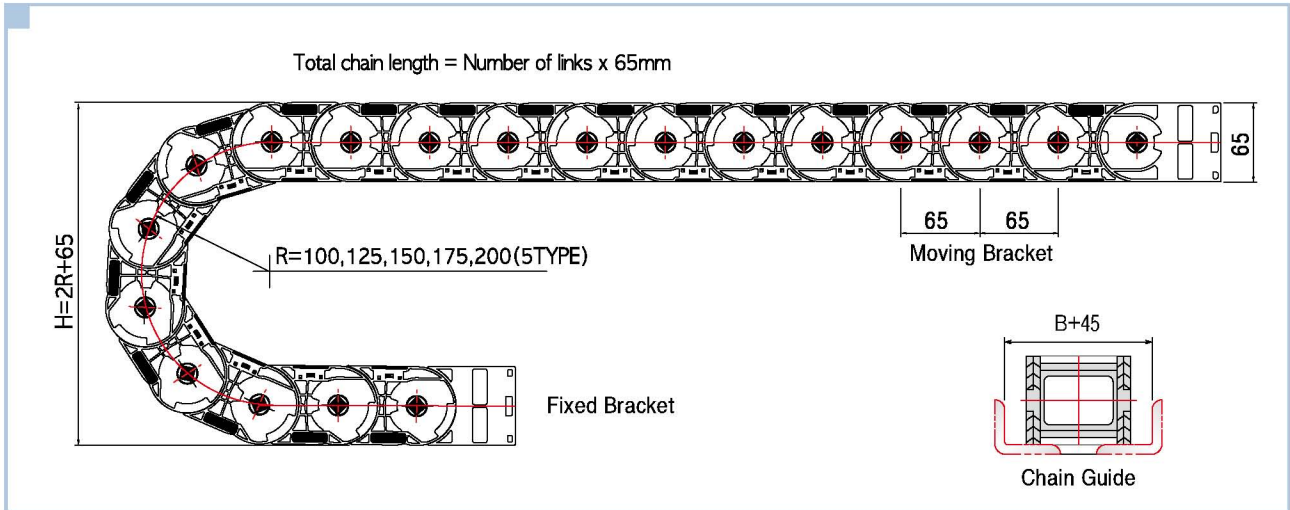
단위 mm

SERIES WITH RODS	F(B+8.5)	I(B-10)
KJC 045-B50	58.5	40
KJC 045-B75	83.5	65
KJC 045-B100	108.5	90
KJC 045-B125	133.5	115

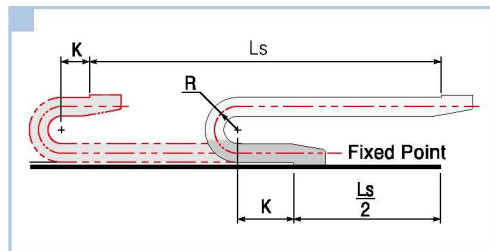
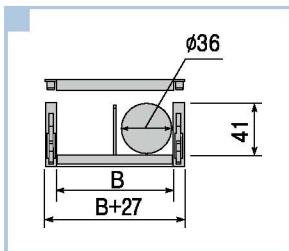
⊕ Order Example [주문예]

KJC 045-B50 / Type ➤ R75 / Radius ➤ 50L/K / Length ➤ 3Sets(P/S) / Q'ty

⊕ Cablechain / Chain Pitch(P)=65mm



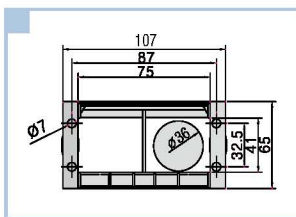
⊕ A-A Cross Section / D.Max



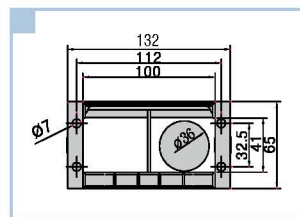
· Chain Length $L = \frac{Ls}{2} + \pi R + 3P(2K)$
 · 곡률반경에 따른 H값

R	100	125	150	175	200
H	265	315	365	415	465

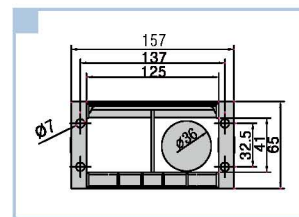
⊕ B 75



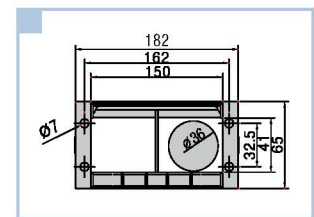
⊕ B 100



⊕ B 125

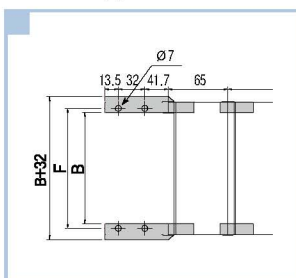


⊕ B 150

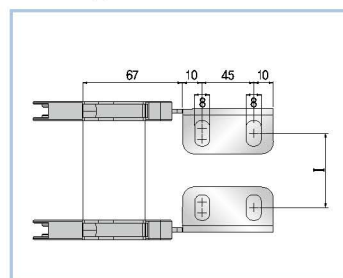


⊕ End Bracket (택 1)

Plastic Type



Steel Type



단위 mm

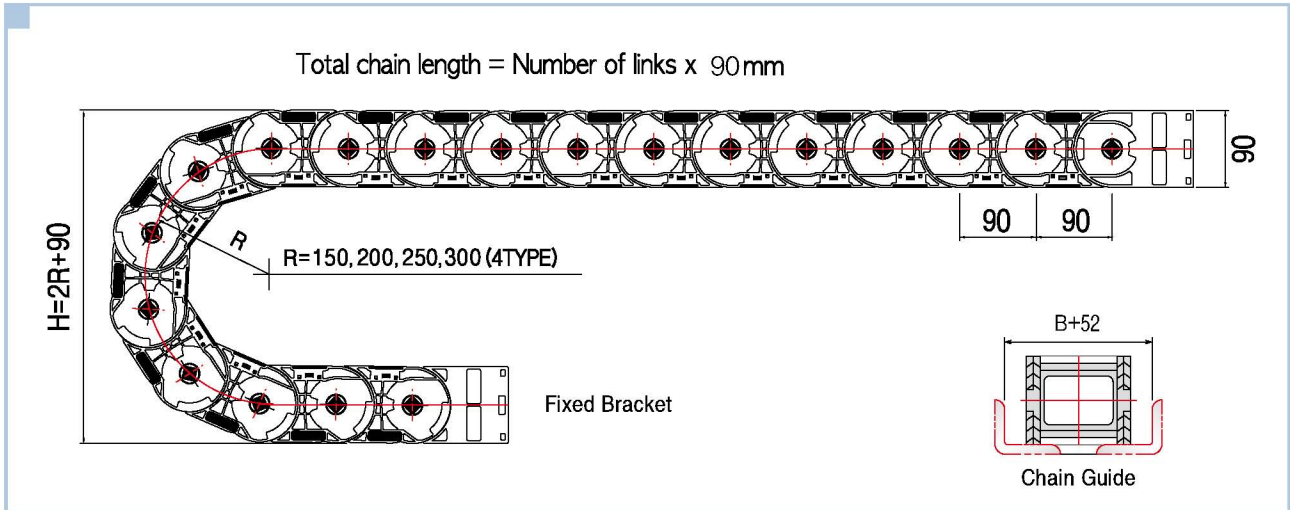
SERIES WITH RODS	F(B+12)	I(B-15)
KJC 065-B75	87	60
KJC 065-B100	112	85
KJC 065-B125	137	110
KJC 065-B150	162	135

⊕ Order Example [주문예]

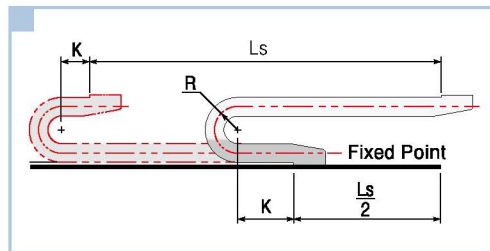
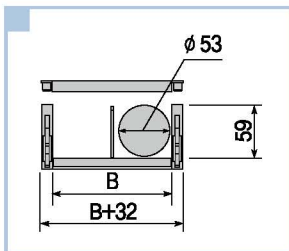
KJC 065-B100 / Type ➤ R150 / Radius ➤ 50L/K / Length ➤ 5Sets / Q'ty

KJC 090 TYPE

⊕ Cablechain / Chain Pitch(P)=90mm



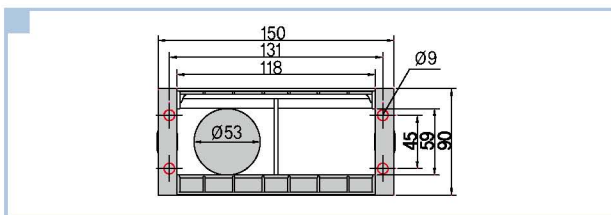
⊕ A-A Cross Section / D.Max



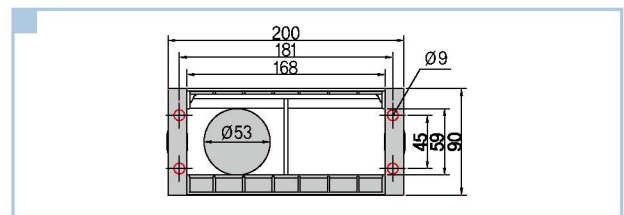
· Chain Length $L = \frac{Ls}{2} + \pi R + 3P(2K)$
 · 곡률반경에 따른 H값

R	150	200	250	300
H	390	490	590	690

⊕ B 118

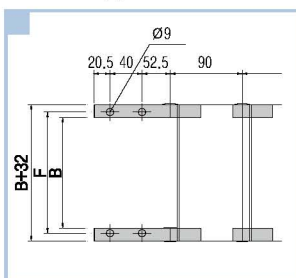


⊕ B 168

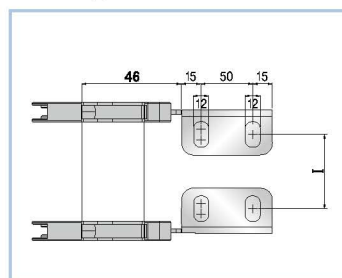


⊕ End Bracket (택 1)

Plastic Type



Steel Type



단위 mm

SERIES WITH RODS	F(B+13)	I(B-24)
KJC 090-B118	131	94
KJC 090-B168	181	144

⊕ Order Example [주문예]

KJC 090-B118 / Type ➤ R200 / Radius ➤ 40L/K / Length ➤ 10Sets / Q'ty