



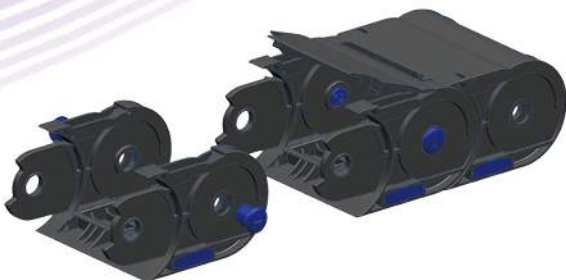
KJC TYPE

플라스틱 밀폐형

Chip, Slag 등 이물질로부터 Cable, Hose를 보호하면서 안쪽 Cover가 개폐가 되어 Cable, Hose 분해 설치가 쉽고 Pin으로 연결하는 구조로 되어있어 길이 조절이 자유로우며 부분 보수가 쉽습니다.

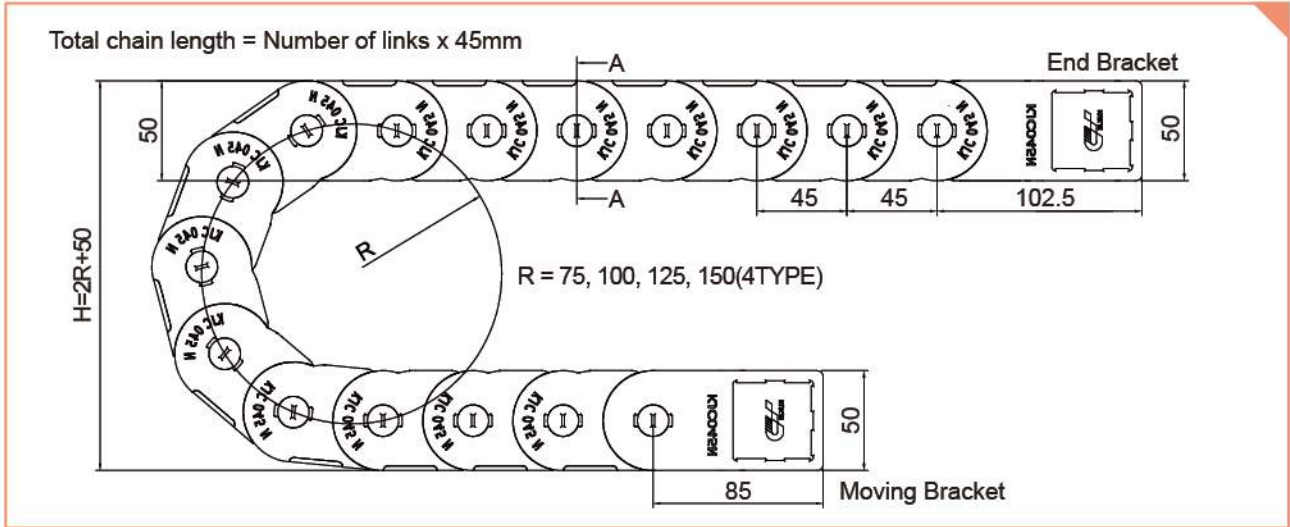
PLASTIC ENCLOSED TYPE

IT PROTECTS CABLE HOSE FROM FOREIGN SUBSTANCES SUCH AS CHIP, SLAG. INNER COVER OPENS AND SHUTS SO CABLE AND HOSE ARE EASILY DISASSEMBLED AND INSTALLED. IT IS CONNECTED BY PIN SO IT'S LENGTH IS ADJUSTED AND PARTIAL REPAIR IS EASY.

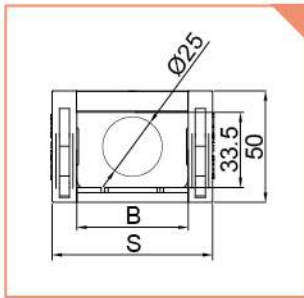


KJC 045N TYPE

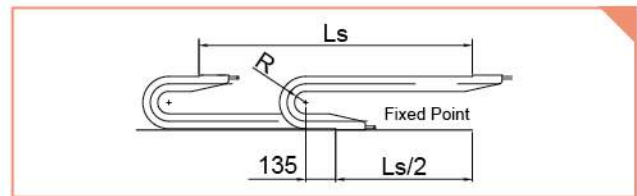
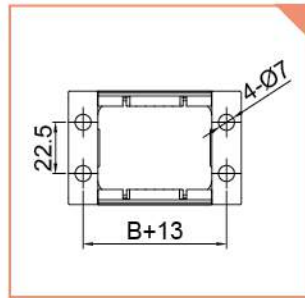
Cablechain / Chain Pitch(P)=45mm



D.Max



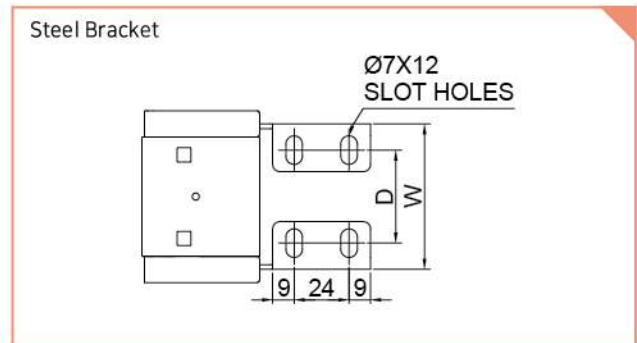
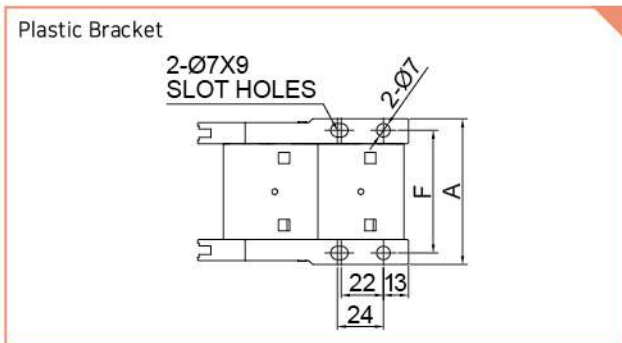
Section A-A



R	75	100	125	150
H	200	250	300	350

Chain Length $L = Ls/2 + \pi R + 135$ H- 곡률반경에 따른 H값 ±공차가 있음.

End Bracket



단위 mm

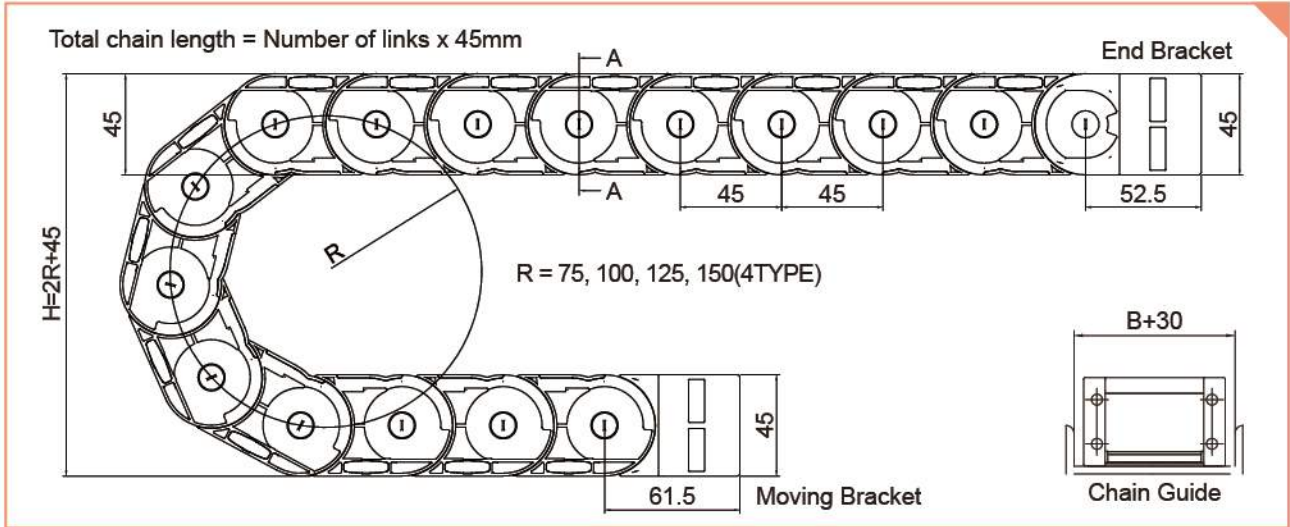
	$F = B + 14$	$A = B + 26$	$D = B - 11$	$W = B + 11$	$S = B + 22$
KJC045N-B50	64	76	39	61	72
KJC045N-B75	89	101	64	86	97
KJC045N-B100	114	126	89	111	122

Order Example [주문예]

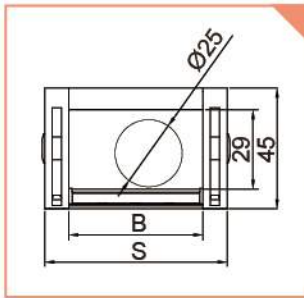
KJC045N - B50 / Type ▶ R/곡률반경(Radius) ▶ L / 길이값(링크가능) ▶ SET/ 세트수

KJC 045 TYPE

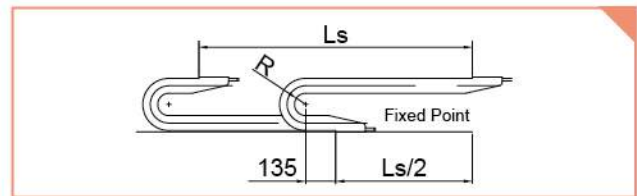
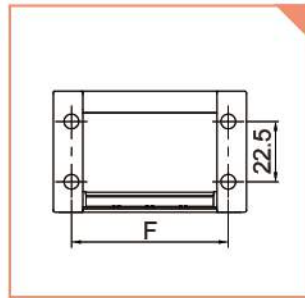
Cablechain / Chain Pitch(P)=45mm



D.Max



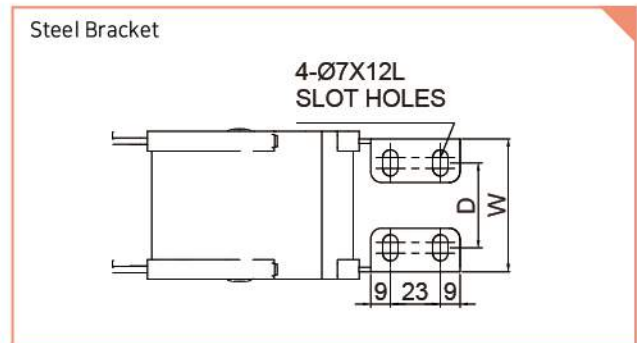
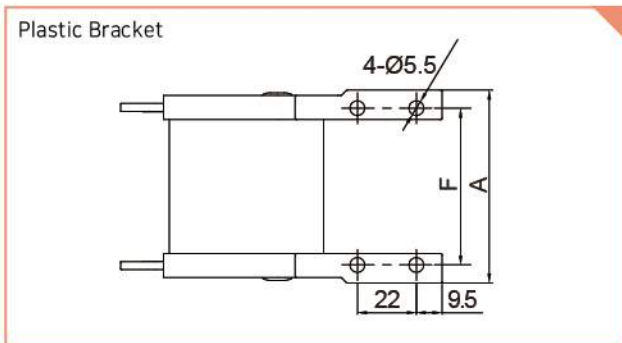
Section A-A



R	75	100	125	150
H	195	245	295	345

Chain Length L = $Ls/2 + \pi R + 135$ H- 곡률반경에 따른 H값 ±공차가 있음.

End Bracket



단위 mm

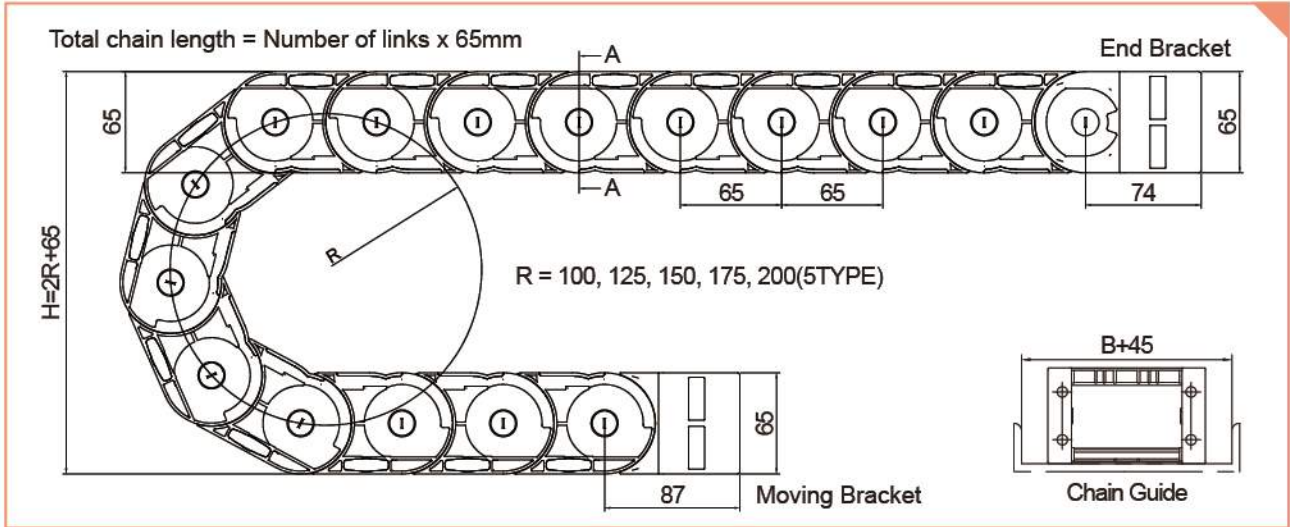
	F=B+8.5	A=B+22	D=B-11	W=B+11	S=B+18
KJC045-B50	58.5	72	39	61	68
KJC045-B75	83.5	97	64	86	93
KJC045-B100	108.5	122	89	111	118
KJC045-B125	133.5	147	114	136	143

Order Example [주문예]

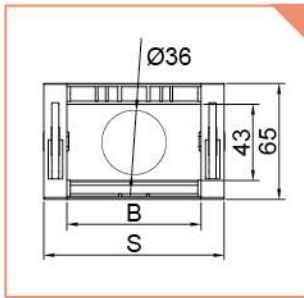
KJC045 - B50 / Type ▶ R/곡률반경(Radius) ▶ L / 길이값(링크가능) ▶ SET/ 세트수

KJC 065 TYPE

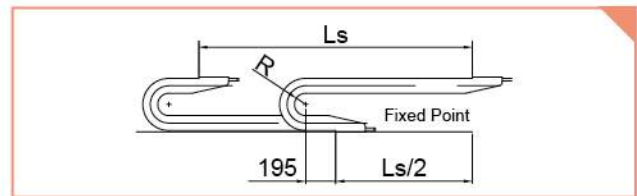
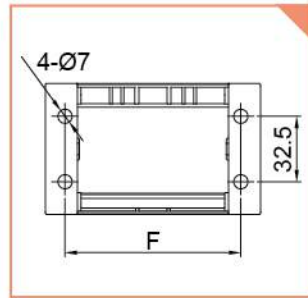
Cablechain / Chain Pitch(P)=65mm



D.Max



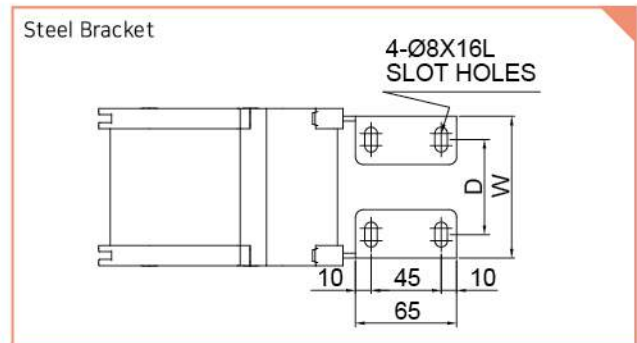
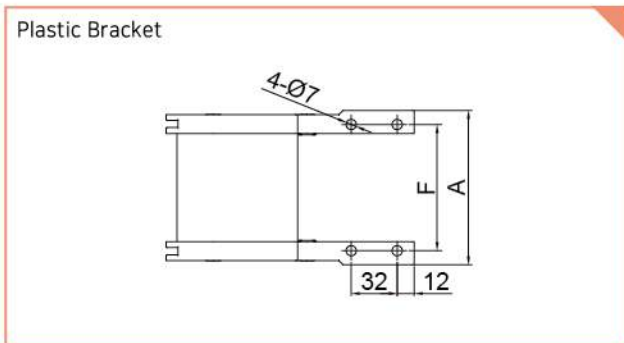
Section A-A



R	100	125	150	175	200
H	265	315	365	415	465

Chain Length $L = Ls/2 + \pi R + 195$ H- 곡률반경에 따른 H값 ±공차가 있음.

End Bracket



단위 mm

	F=B+12	A=B+32	D=B-14	W=B+16	S=B+26
KJC065-B75	87	107	61	91	101
KJC065-B100	112	132	86	116	126
KJC065-B125	137	157	111	141	151
KJC065-B150	162	182	136	166	176

Order Example [주문예]

KJC065 - B75 / Type

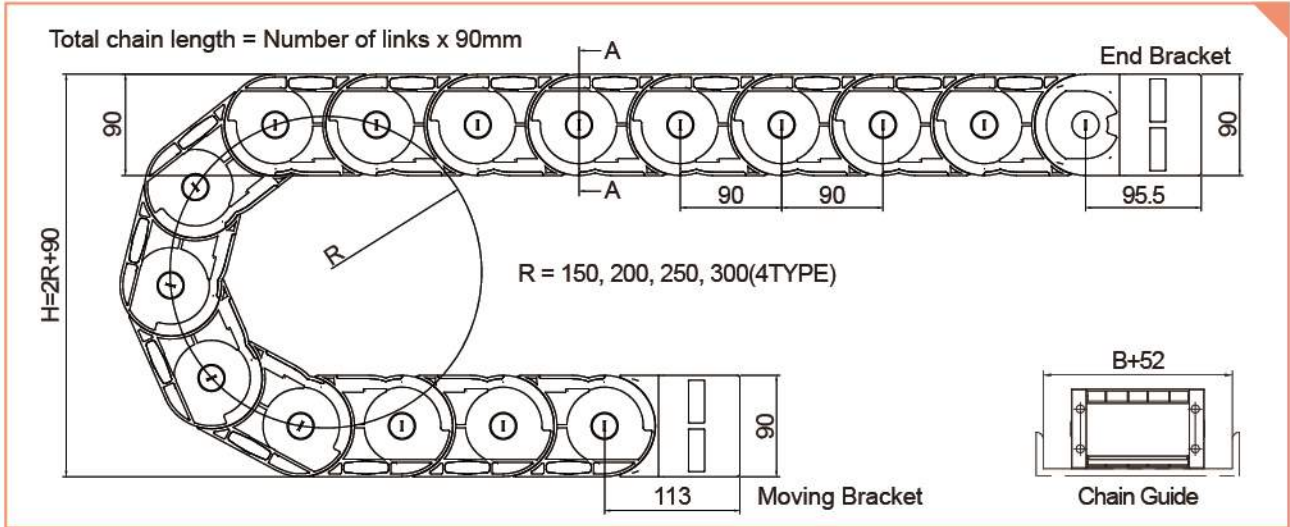
▶ R/곡률반경(Radius)

▶ L / 길이값(링크가능)

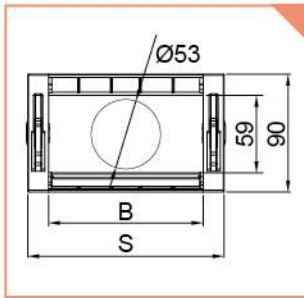
▶ SET/ 세트수

KJC 090 TYPE

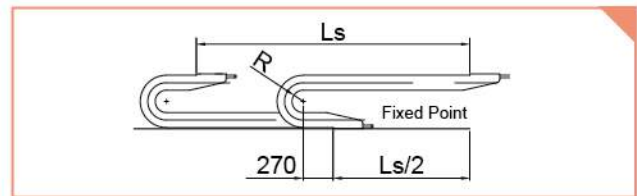
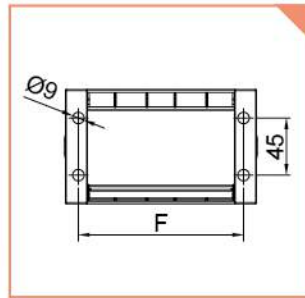
Cablechain / Chain Pitch(P)=90mm



D.Max



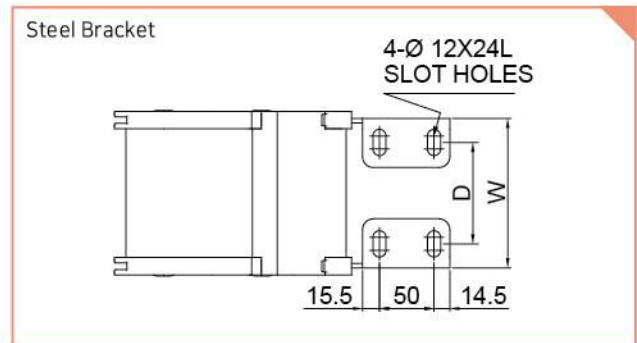
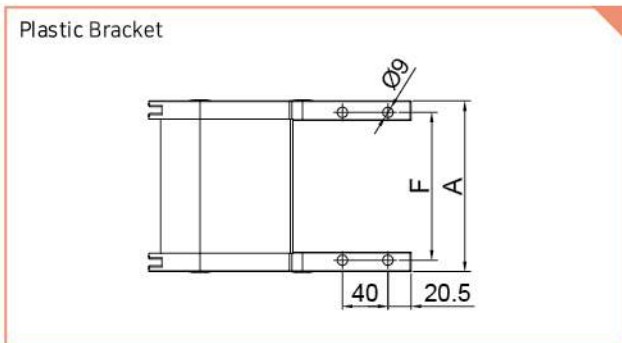
Section A-A



R	150	200	250	300
H	390	490	590	690

Chain Length L = $Ls/2 + \pi R + 270$ H- 곡률반경에 따른 H값 ±공차가 있음.

End Bracket



단위 mm

	$F=B+12$	$A=B+32$	$D=B-25$	$W=B+19$	$S=B+32$
KJC090-B118	130	150	93	137	150
KJC090-B168	180	200	143	187	200
KJC090-B218	230	250	193	237	250

Order Example [주문예]

KJC090 - B118 / Type ▶ R/곡률반경(Radius) ▶ L / 길이값(링크가능) ▶ SET/ 세트수