

TKS TYPE

주요용도(Application)

제철, 제강설비, 산업용플랜트, 냉연, 압연설비 등 중하중용 기계에 적용됩니다.

Application for iron and steel mill facility industrial plant facility, cold stripping and rolling facilities and so forth.

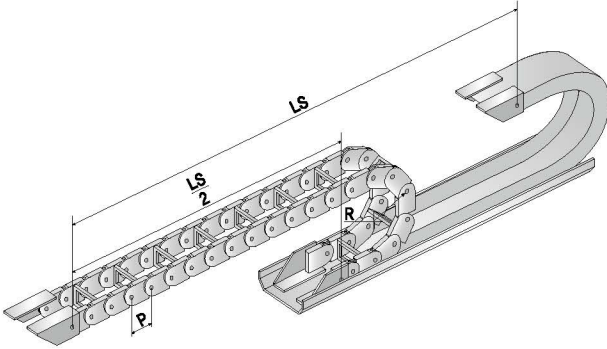
특징(Features)

TKS Type은 Steel Chain과 알루미늄바로 구성되어 안쪽부분의 알루미늄바를 간단하게 조작하여 Cable, Hose를 쉽게 탈부착이 가능하도록 되었고, Divider를 좌우로 이동할 수 있어 Cable, Hose를 추가로 넣을 수 있습니다.

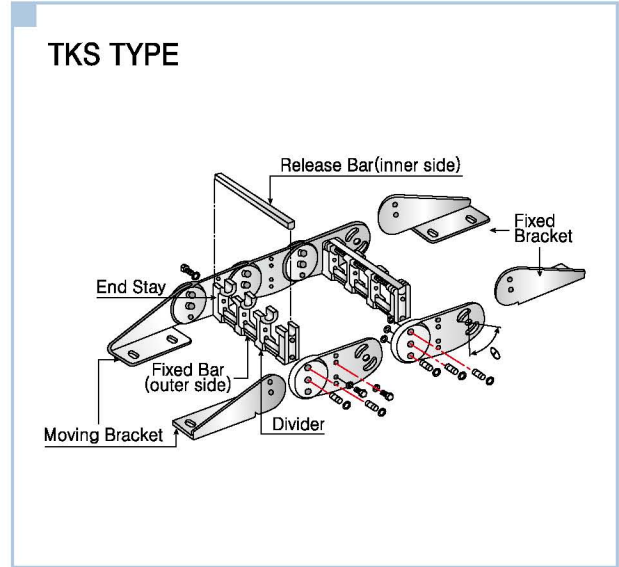
- Long life and durability are ensured from steel chain and aluminum supporter.
- Customized holes of supporter provide better supporter for cable and hose.
- The supporter is made of aluminum to ensure long stroke and durability in harsh environment.
- Quick and easy manipulation for assembling and disassembling cable and hose.
- TKS Type : Application for middle and light weight use.

☉ 체인 길이 계산법

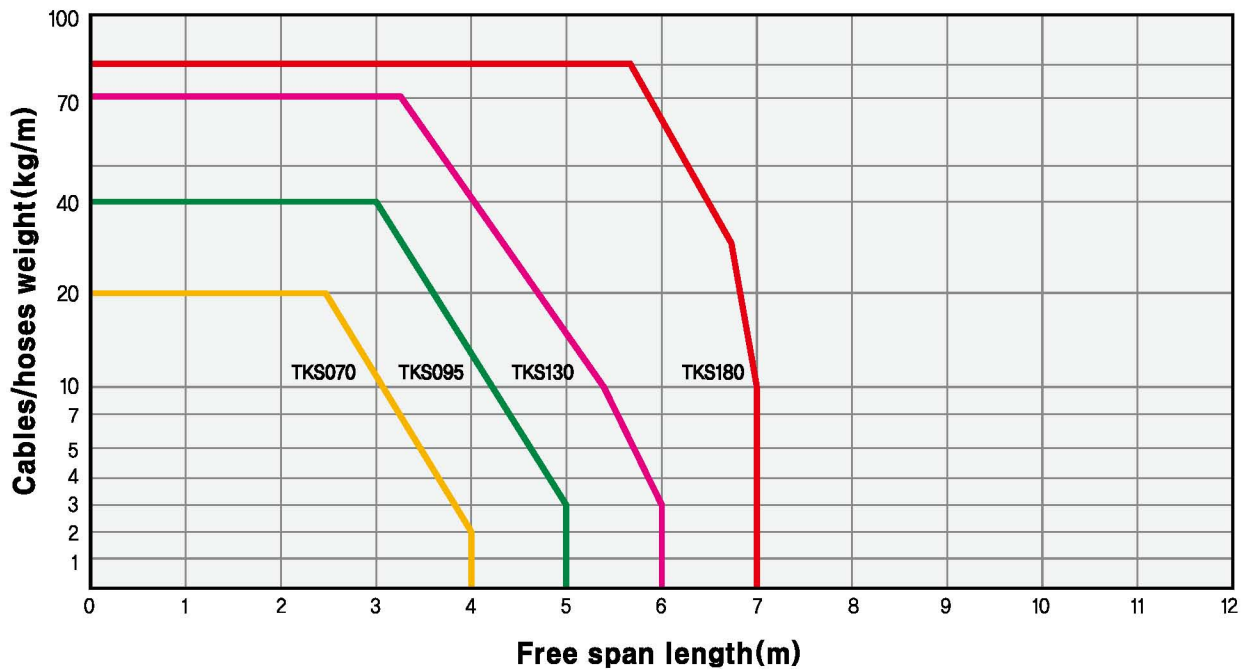
$$L = \frac{Ls}{2} + \pi R + 3P$$



☉ TKS Type 구조



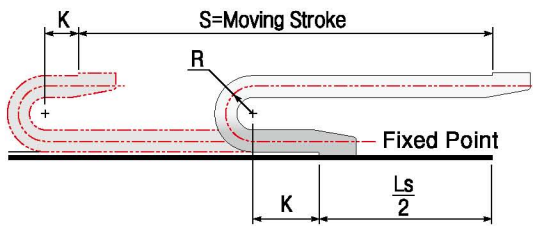
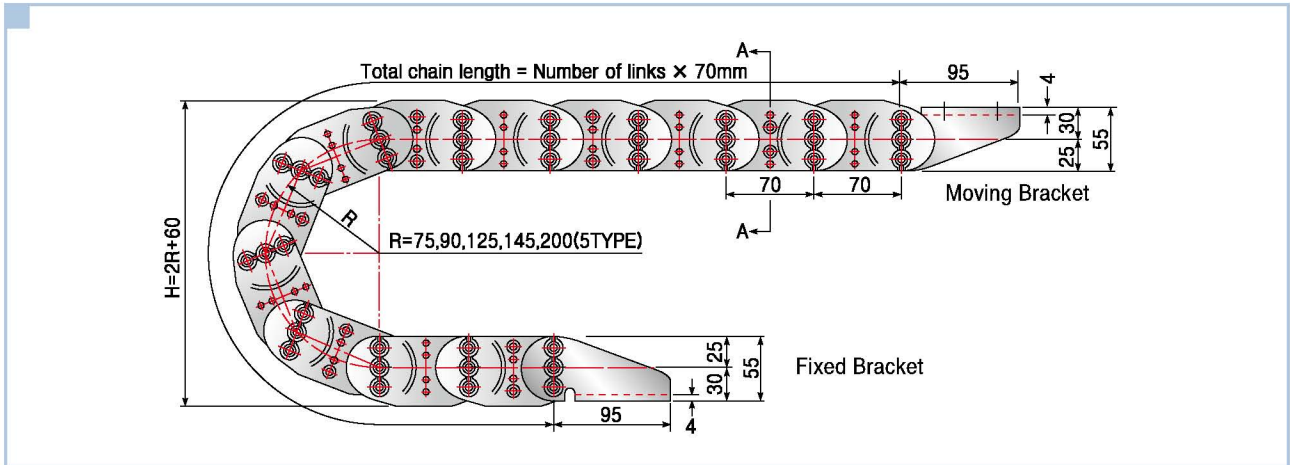
☉ TKS, H Type 능력선도



TKS 070 TYPE

KUKJE CABLECHAIN

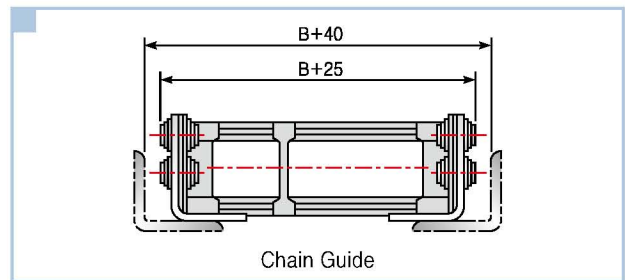
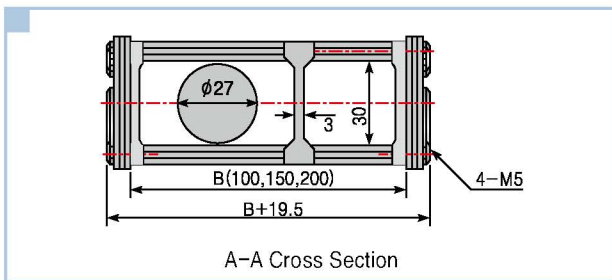
⊕ Cablechain / Chain Pitch(P)=70mm



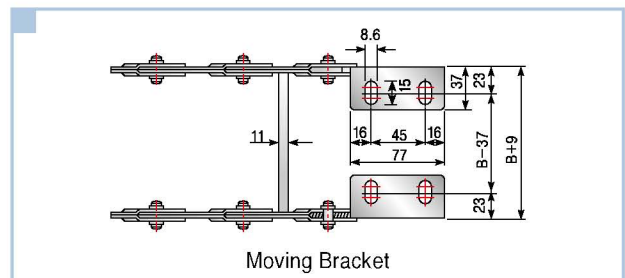
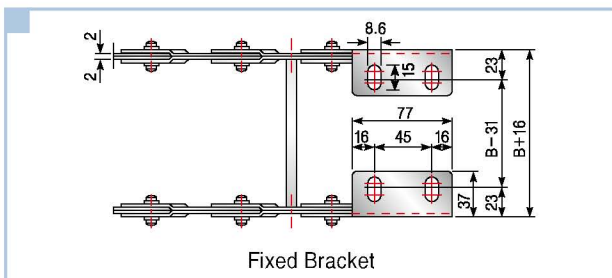
- Chain Length $L = \frac{Ls}{2} + \pi R + 2K$
- 곡률반경에 따른 H값

R	75	90	125	145	200
H	210	240	310	350	460

⊕ A-A Cross Section / Chain Guide



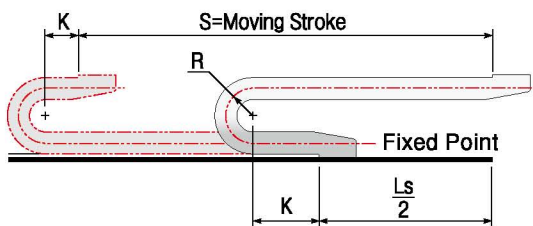
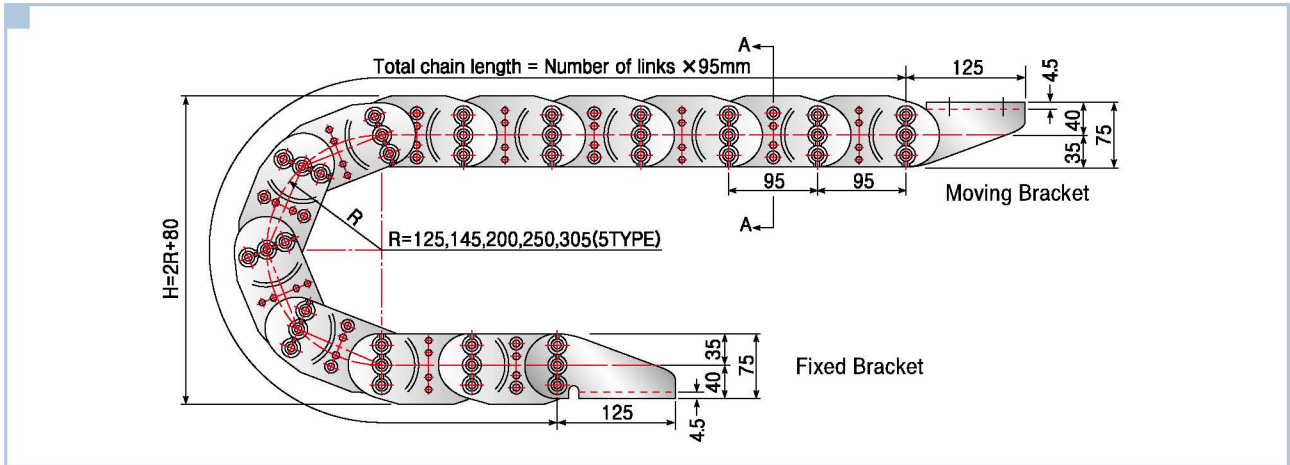
⊕ End Bracket



⊕ Order Example [주문예]

TKS 070 / Type ➤ R145 / Radius ➤ B200 / Width ➤ 3500L / Length ➤ 3Sets / Q'ty

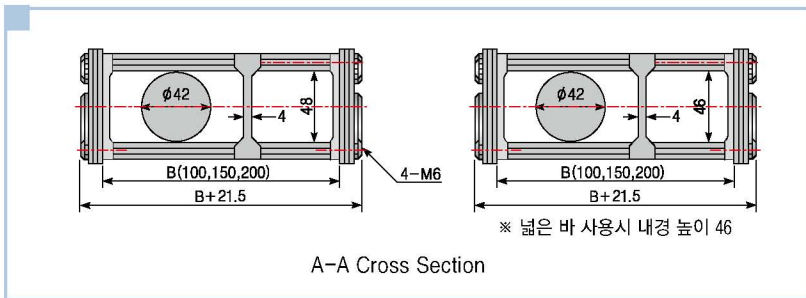
⊕ Cablechain / Chain Pitch(P)=95mm



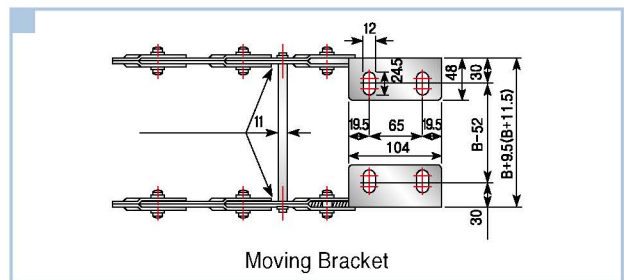
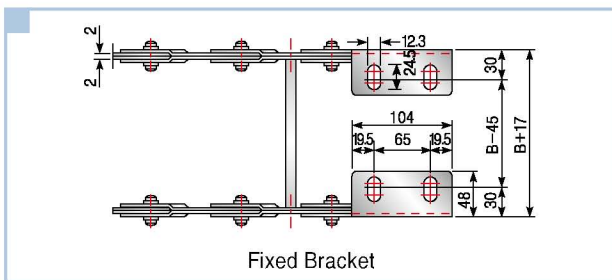
- Chain Length $L = \frac{Ls}{2} + \pi R + 2K$
- 곡률반경에 따른 H값

R	125	145	200	250	305
H	330	370	480	580	690

⊕ A-A Cross Section / Chain Guide



⊕ End Bracket



⊕ Order Example [주문예]

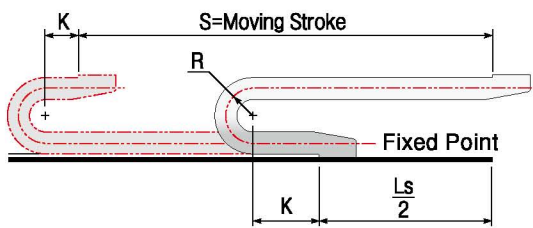
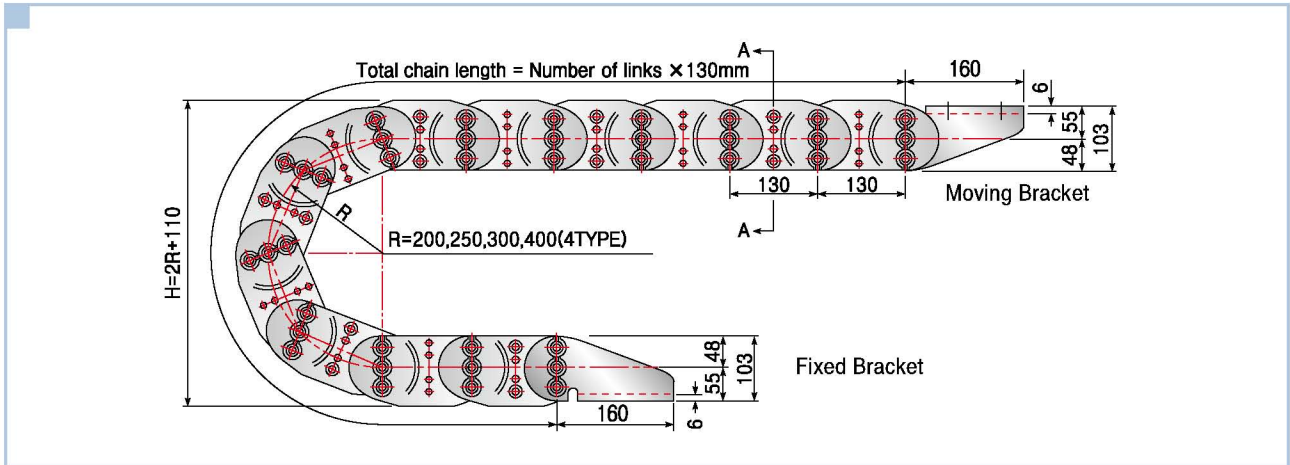
TKS 095 / Type ➤ R200 / Radius ➤ B400 / Width ➤ 4560L / Length ➤ 3Sets / Q'ty

TKS TYPE

TKS 130 TYPE

KUKJE CABLECHAIN

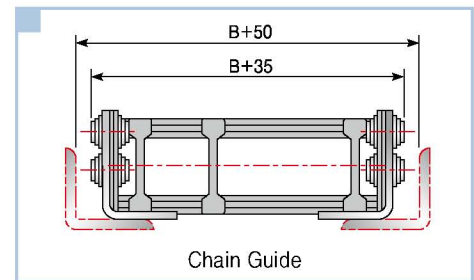
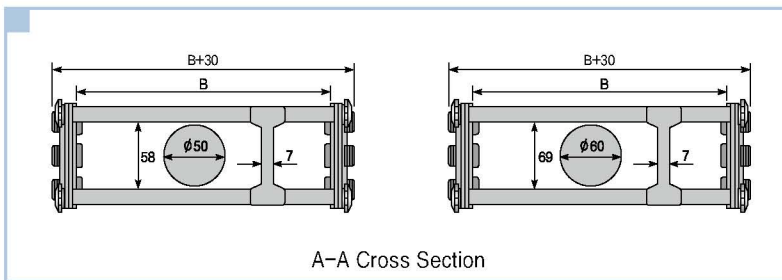
⊕ Cablechain / Chain Pitch(P)=130mm



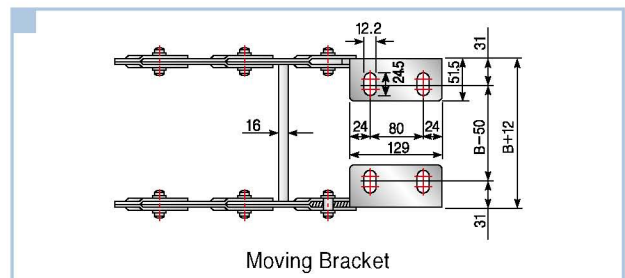
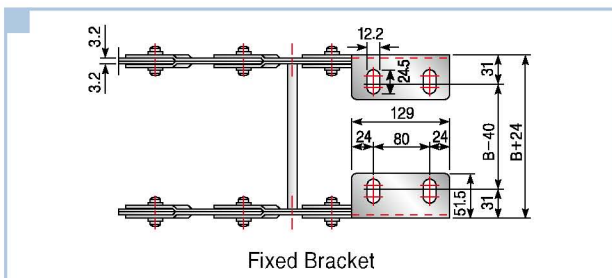
- Chain Length $L = \frac{Ls}{2} + \pi R + 2K$
- 곡률반경에 따른 H값

R	200	250	300	400
H	510	610	710	910

⊕ A-A Cross Section / Chain Guide



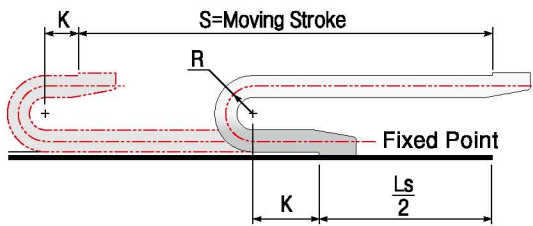
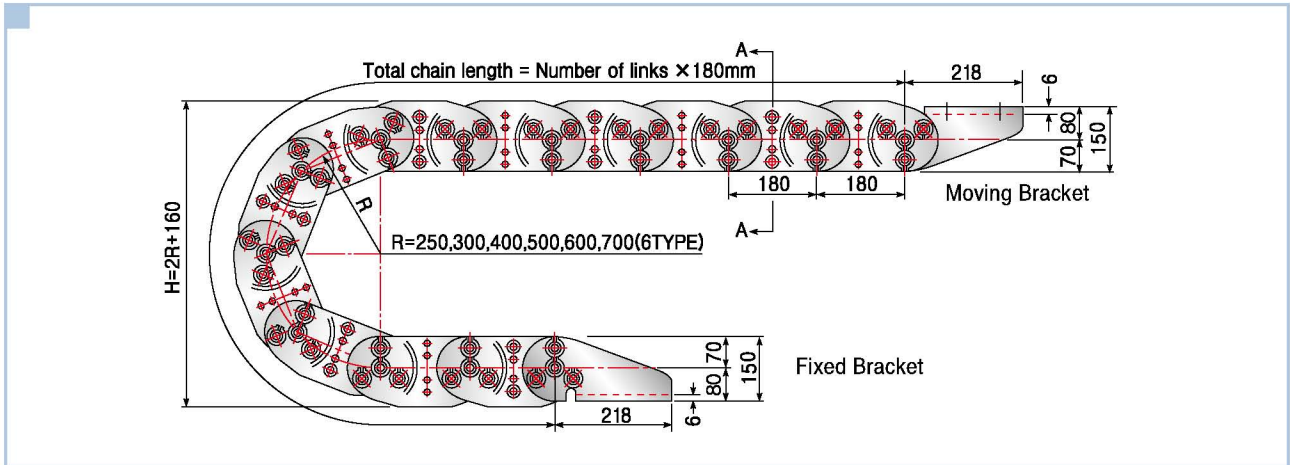
⊕ End Bracket



⊕ Order Example [주문예]

TKS 130 / Type ➤ R300 / Radius ➤ B400 / Width ➤ 5850L / Length ➤ 5Sets / Q'ty

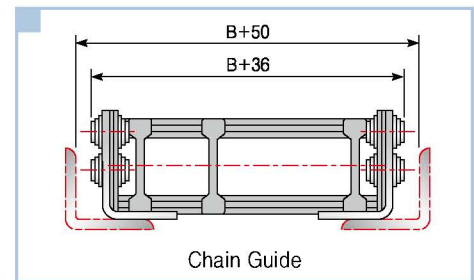
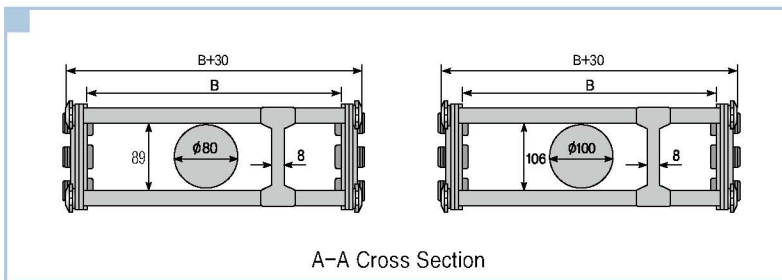
⊕ Cablechain / Chain Pitch(P)=180mm



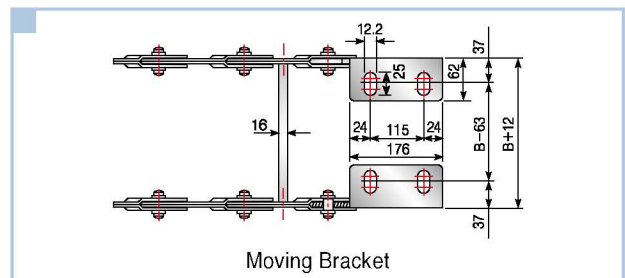
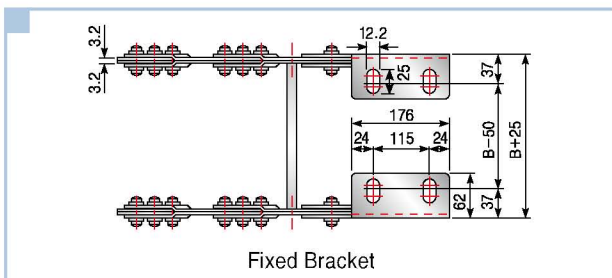
- Chain Length $L = \frac{Ls}{2} + \pi R + 2K$
- 곡률반경에 따른 H값

R	250	300	400	500	600	700
H	660	760	960	1160	1360	1560

⊕ A-A Cross Section / Chain Guide



⊕ End Bracket



⊕ Order Example [주문예]

TKS 180 / Type ➤ R400 / Radius ➤ B500 / Width ➤ 7560L / Length ➤ 5Sets / Q'ty